

Tavolo **NODOO**

Fatto
in
Italia



Mdf table, product card.

Sizes (in cm)

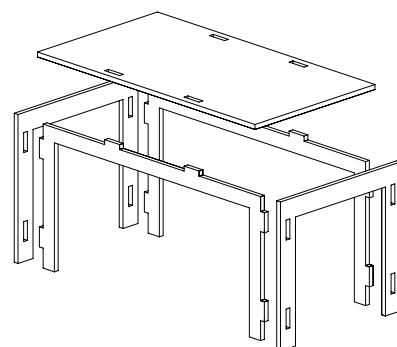
table top: 150x80, 120x120, 150x150,
220x80, 260x80

height: 75 — gauge: 2



Materials

Through-coloured Mdf



These tables are made of through-coloured MDF with a thickness of 20 mm.

The table parts are linked by a joining system of wood to wood that allows for simple intuitive assembly without the use of hardware items, making the tables very easy to move and transport, and reducing the space they take up without

affecting their stability. The range comprises 8 colours that can be combined.

They are square or rectangular, are available in various sizes, and can also be made-to-measure.

Mdf table, product card.

www.nodoo.it



Details of the exposed joining system with an example of the combination of two colours.

